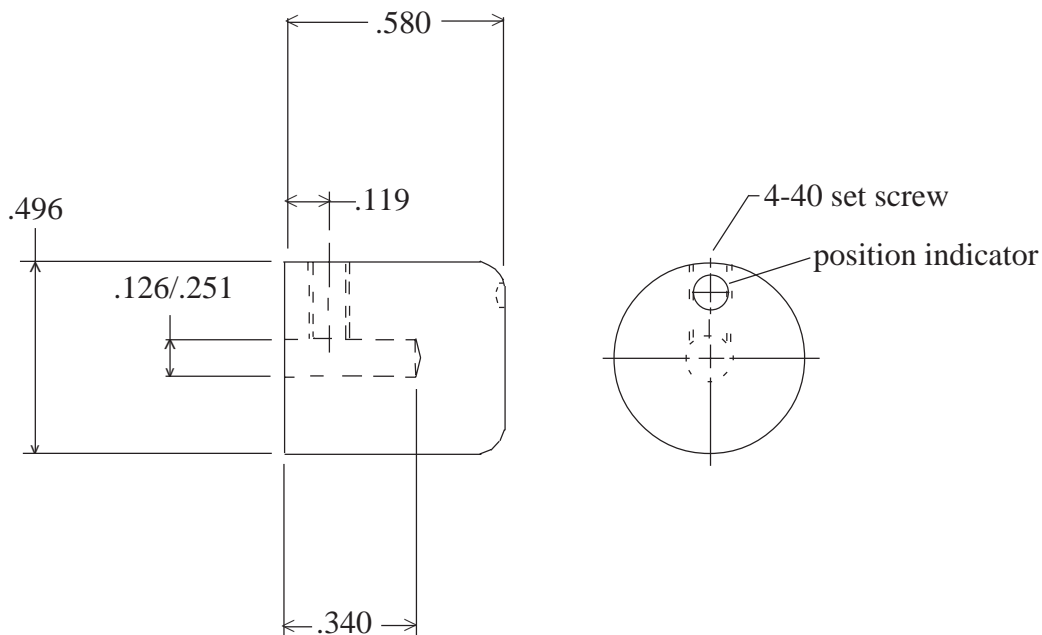


**•Fits 1/8" and 1/4" shafts**

**•Black or silver**

These high quality precision CNC machined instrument knobs come in two styles. The black knobs are black anodized with a contrasting white mark. The economical silver knobs are aluminum with a machined pointer mark. Both knobs use a hardened hex socket set screw to achieve superior gripping power compared to weaker slotted brass screws.



**Ordering Information:** mail@koford.com

**Example:** Part Number \_ K 5 - 1/8 S

Shaft size 1/8 or 1/4

S=silver, B=black with white indicator mark